



GABLER

REFRIGERATION AND DEEP-FREEZING – TWO TEMPERATURE RANGES

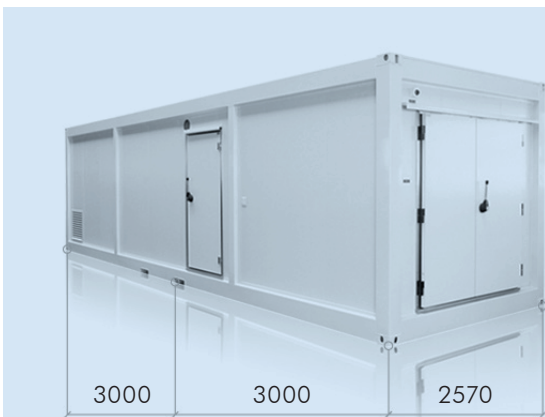
THE TECHNICAL ADVANTAGES OF COMBI GABLER CONTAINERS:

- Refrigeration and deep-freezing in one
- Insulation 140 mm
- Increased usable space
- Reduced energy consumption
- Each unit area can have a separate setting
- Set up –connect power – select temperature range – the system is running
- Separate, easily accessible machine room
- Systems monitored remotely
- Error messages per room
- Temperature control and correction, initiation of defrosting etc. possible via remote control
- Base in stainless steel with TRI sheet metal
- Can be placed on the floor or on a loading ramp by means of an exchange platform
- SUVA-compliant personal protection device per room
- Air-cooled condenser, designed for an ambient temperature of +37°C
- Semi-hermetic, performance-controlled refrigeration compressors
- Floor load capacity 1000 kp/m²
- On-site power connection

POSSIBLE APPLICATIONS

Food | Pharma | Chemistry | Gastro | Catering | Events/Open-air

COMBI REFRIGERATED/DEEP-FREEZE CONTAINER 10.10



KK/TC 10.10

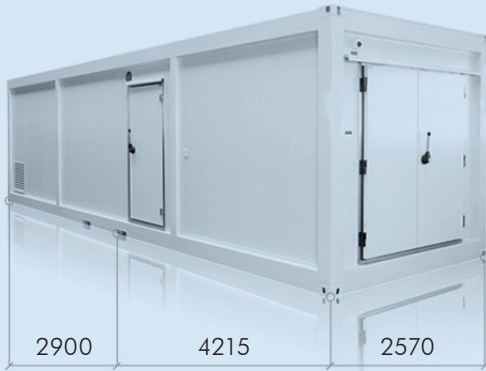
Number of pallets	6/6
Outer dimensions	7640 x 2980 x 2900
Internal dimensions	7.6 m ² / 7.6 m ²
Connected load	8 KW
Max. operating current	25 A
Voltage V/Hz/Ph	400 / 50 / 3
Pre-fuse	40 A / FI
Plug connection	CEE 32A
Door dimensions	2000 x 2000 / 900 x 2000
Container empty	4600 kg



GABLER

COMBI REFRIGERATED/DEEP-FREEZE CONTAINER 15.10

Dimensions = Interior dimensions

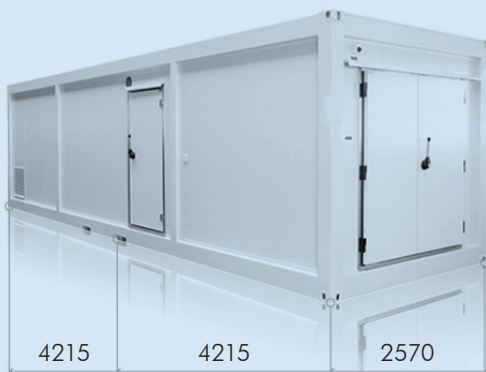


KK/TC 15.10

Number of pallets	9/6
Outer dimensions	8700 x 2970 x 2900
Internal dimensions	10.9 m ² / 7.25 m ²
Connected load	8 KW
Max. operating current	25 A
Voltage V/Hz/Ph	400 / 50 / 3
Pre-fuse	40 A / FI
Plug connection	CEE 32A
Door dimensions	2000 x 2000 / 900 x 2000
Container empty	5300 kg

COMBI REFRIGERATED/DEEP-FREEZE CONTAINER 15.15

Dimensions = Interior dimensions

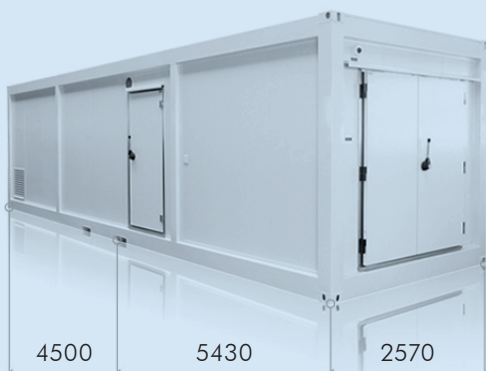


KK/TC 15.15

Number of pallets	9/9
Outer dimensions	10100 x 2970 x 2900
Internal dimensions	10.9 m ² / 10.9 m ²
Connected load	8 KW
Max. operating current	25 A
Voltage V/Hz/Ph	400 / 50 / 3
Pre-fuse	40 A / FI
Plug connection	CEE 32A
Door dimensions	2000 x 2000 / 900 x 2000
Container empty	6200 kg

COMBI REFRIGERATED/DEEP-FREEZE CONTAINER 20.15

Dimensions = Interior dimensions



KK/TC 20.15

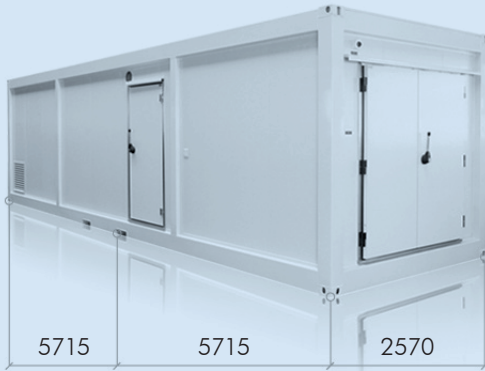
Number of pallets	14/9
Outer dimensions	11600 x 2980 x 2900
Internal dimensions	14.7 m ² / 10.9 m ²
Connected load	10 KW
Max. operating current	2 x 20 A
Voltage V/Hz/Ph	400 / 50 / 3
Pre-fuse	2 x 25A / FI
Plug connection	2 x CEE 32A
Door dimensions	2000 x 2000 / 900 x 2000
Container empty	7100 kg



GABLER

COMBI REFRIGERATED/DEEP-FREEZE CONTAINER 20.20

Dimensions = Interior dimensions



KK/TC 20.20

Anzahl Paletten	14/14
Aussenabmessungen	13100 x 2980 x 2900
Nutzflächen K/T	14.7 m ² / 14.7 m ²
Anschlusswert	12 KW
Betriebsstrom max.	2 x 20 A
Spannung V/Hz/Ph	400 / 50 / 3
Vorabsicherung	2 x 25A /FI
Steckeranschluss	2 x CEE 32A
Türabmessungen	2000 x 2000 / 900 x 2000
Container mit Kühltechnik	8300 kg